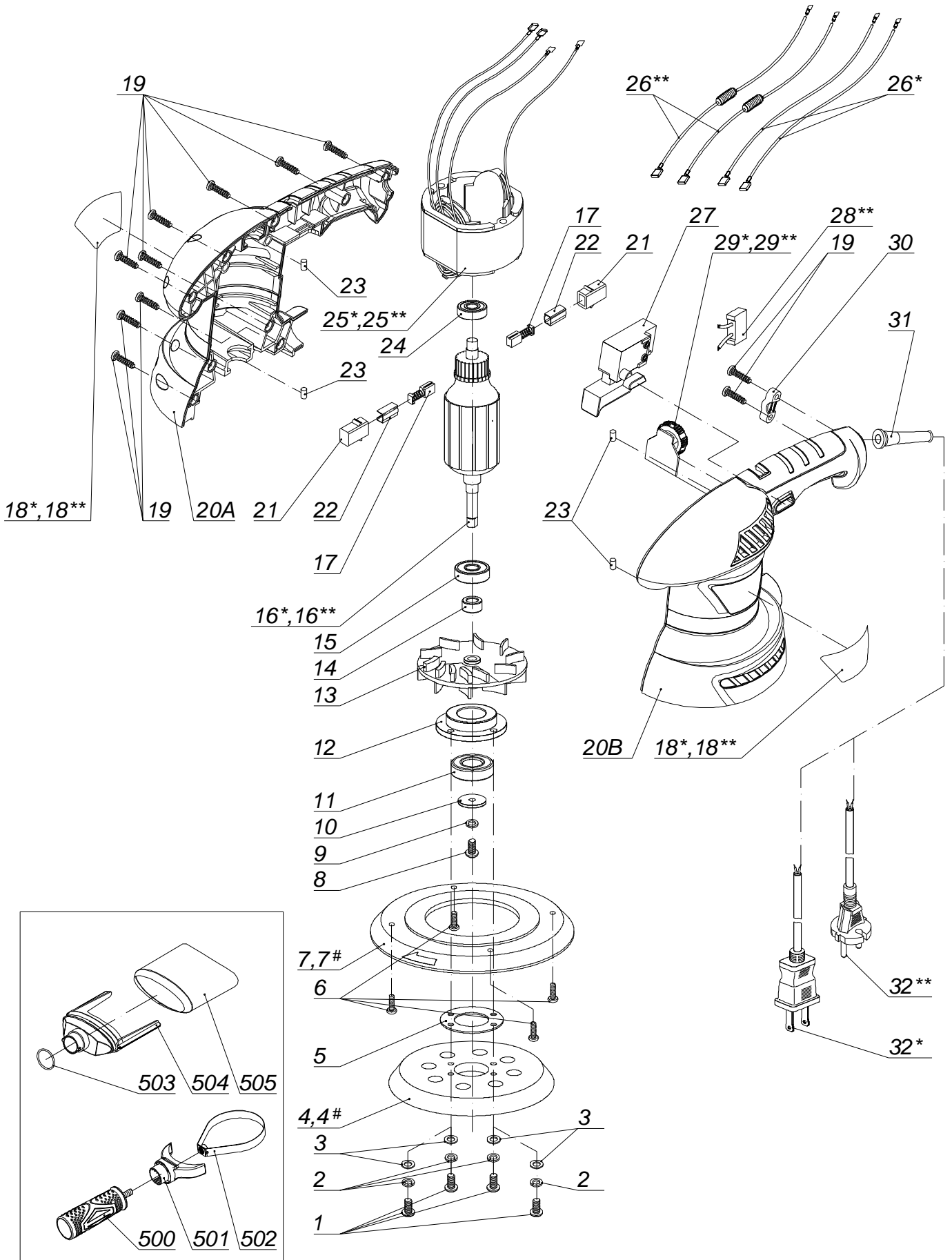


EX03-125 V
EX03-150 V



* ~127V

** ~230V

EX03-150 V

DWTJune 2010
DIY

ROTARY SANDER

EX03-125 V

EX03-150 V

PRICE LIST OF SPARE PARTS

Pos.	Part Number	Description (Q-ty)	Description National Language (Q-ty)	Price, USD
1	S-037	Screw M5x10(4)		
2	S-024	Spring washer Ø5 (4)		
3	S-004	Washer Ø5 (4)		
4	Q-065	Disc Ø125		
4#	Q-066	Disc Ø150		
5	S-196	Flat washer		
6	S-188	Screw ST3,5x16 (4)		
7	P-014	Disc guard Ø125		
7#	P-015	Disc guard Ø150		
8	S-029	Screw M4x12		
9	S-023	Spring washer Ø4		
10	S-195	Washer Ø4xØ18		
11	O-010	Ball bearing 6002.2 RS		
12	K-080	Bearing holder Ø32xØ53x12		
13	L-056	Aluminium fan Ø82		
14	O-074	Fixing sleeve Ø15x7.5		
15	O-006	Ball bearing 629 RS		
16*	1A-041	Armature 127V		
16**	A-041	Armature 230V		
17	D-013	Carbon brush (2)		
18*	1T-098	Brand label (2) 127 V (EX03-125 V)		
18**	T-098	Brand label (2) 230 V (EX03-125 V)		
18*	1T-099	Brand label (2) 127 V (EX03-150 V)		
18**	T-099	Brand label (2) 230 V (EX03-150 V)		
19	S-075	Screw ST4x16 (11)		
20A	H-111	Housing A		
20B	H-112	Housing B		
21	J-031	Brush holder (2)		
22	J-032	Brush cover (2)		
23	M-119	Rubber pole Ø4x6 (4)		
24	O-002	Ball bearing 608 RS		
25*	1B-035	Stator 127V		
25**	B-035	Stator 230V		
26*	1E-039	Wire (2) 127V		
26**	E-040	Wire and inductor (2) 230V		
27	C-027	Switch		
28**	E-005	Condenser 0.22 µF 230V		
29*	1C-028	VS wheel switch 127V		
29**	C-028	VS wheel switch 230V		
30	M-002	Cord clip		
31	M-003	Rubber sleeve		
32*	1E-001	Cord 127V		
32**	E-001	Cord 230V		
500	Q-067	Handle		
501	Q-068	Lock equipment		
502	Q-069	Hoop		
503	M-118	O-ring Ø26xØ30		
504	Q-070	Dust bag support		
505	Q-071	Dust bag		