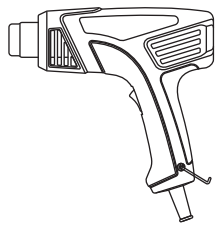
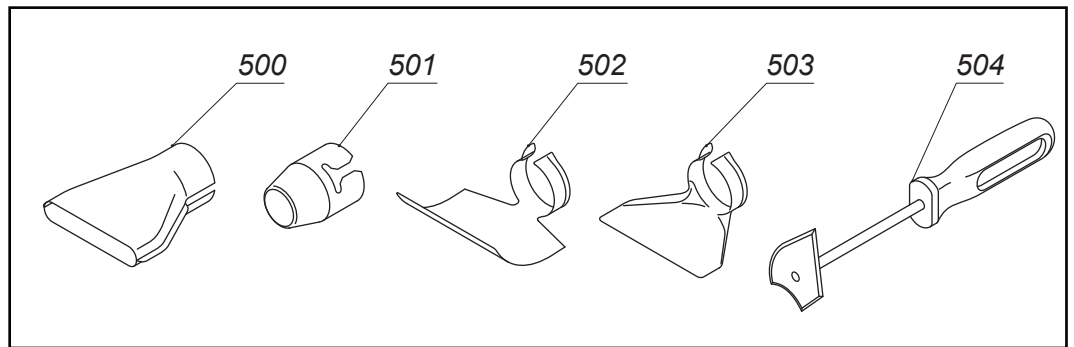
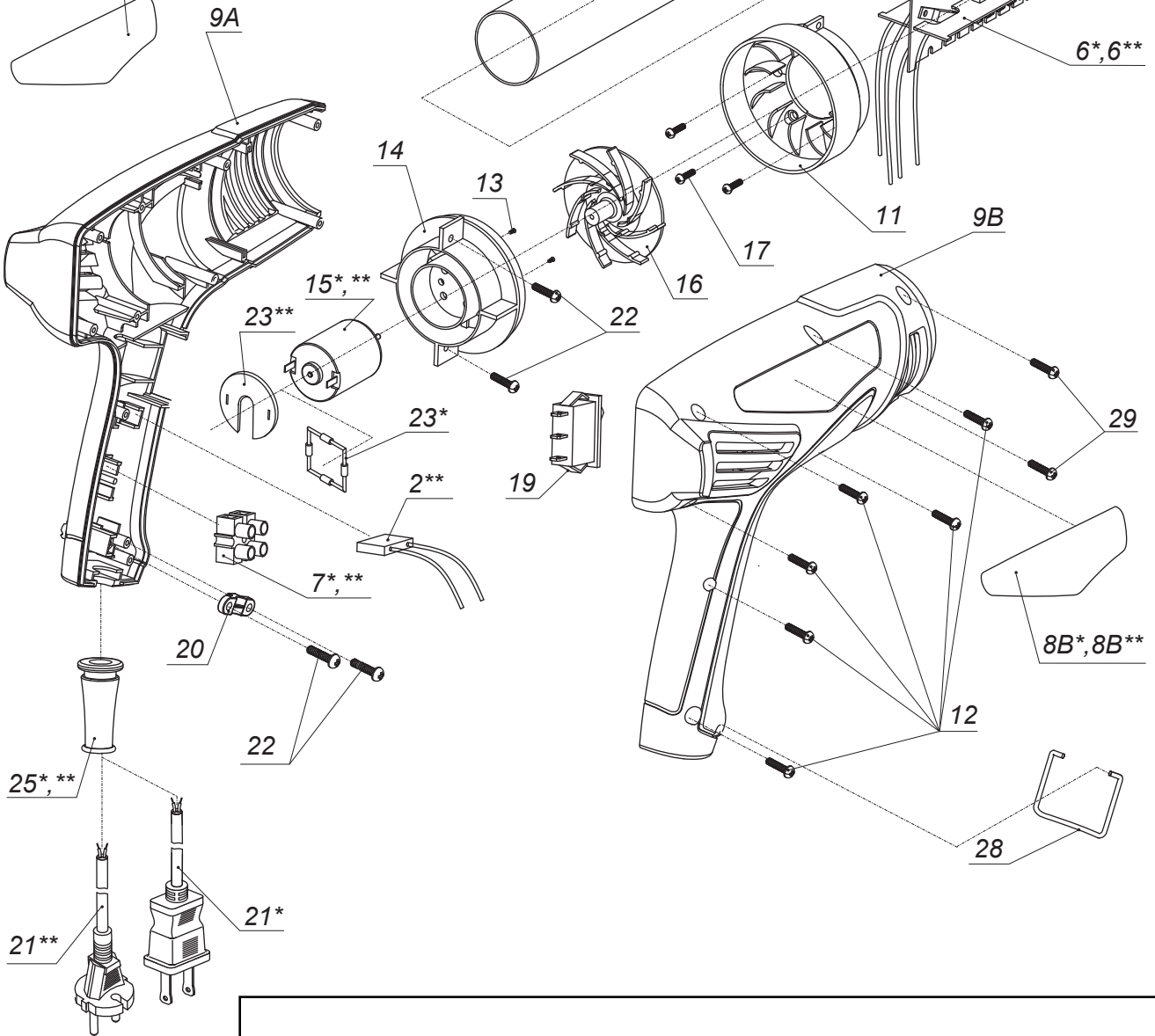
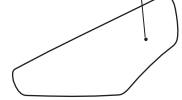


HLP16-500



8A*, 8A**



* ~ 110-127V
 ** ~ 220-240V

Pos.	Part Number	Description (Q-ty)	Description National Language (Q-ty)	Price, USD
1	N-320	Steel tube		
3	N-321	Positioner		
5	N-322	Micanite paper tube		
6*	1E-207	Heating element 110-127V		
6**	E-207	Heating element 220-240V		
7	S-197	Screw ST2.9x16 (6)		
8A*	1T-227	Brand label 110-127V		
8B*	1T-228	Rating label 110-127V		
8A**	T-227	Brand label 220-230V		
8B**	T-228	Rating label 220-230V		
9A	H-326	Housing A		
9B	H-327	Housing B		
11	I-216	Fan cave		
12	S-198	Screw ST2.9x14 (3)		
13	S-200	Screw M2.5x4 (2)		
14	E-208	Motor base		
15	E-209	Motor 24V		
16	I-217	Fan		
17	S-197	Screw with washer ST2.9x16 (4)		
19*	1C-108	Switch 110-127V		
19**	C-108	Switch 220-230V		
20	M-002	Cord clip		
21*	1E-001	Cord 110-127V		
21**	E-001	Cord 220-230V		
23	M-322	Hanging hook		
25	M-121	Rubber sleeve		
26	E-210	PCB		
27	E-211	Capacitor 0.1 μ F		
28	N-177	Terminal block		
29	S-071	Screw ST2.9x10 (2)		
500	Q-229	Surface nozzle		
501	Q-230	Spot nozzle		
502	Q-231	Reflector nozzle		
503	Q-232	Deflector nozzle		
512	Q-233	Paint Scraper		