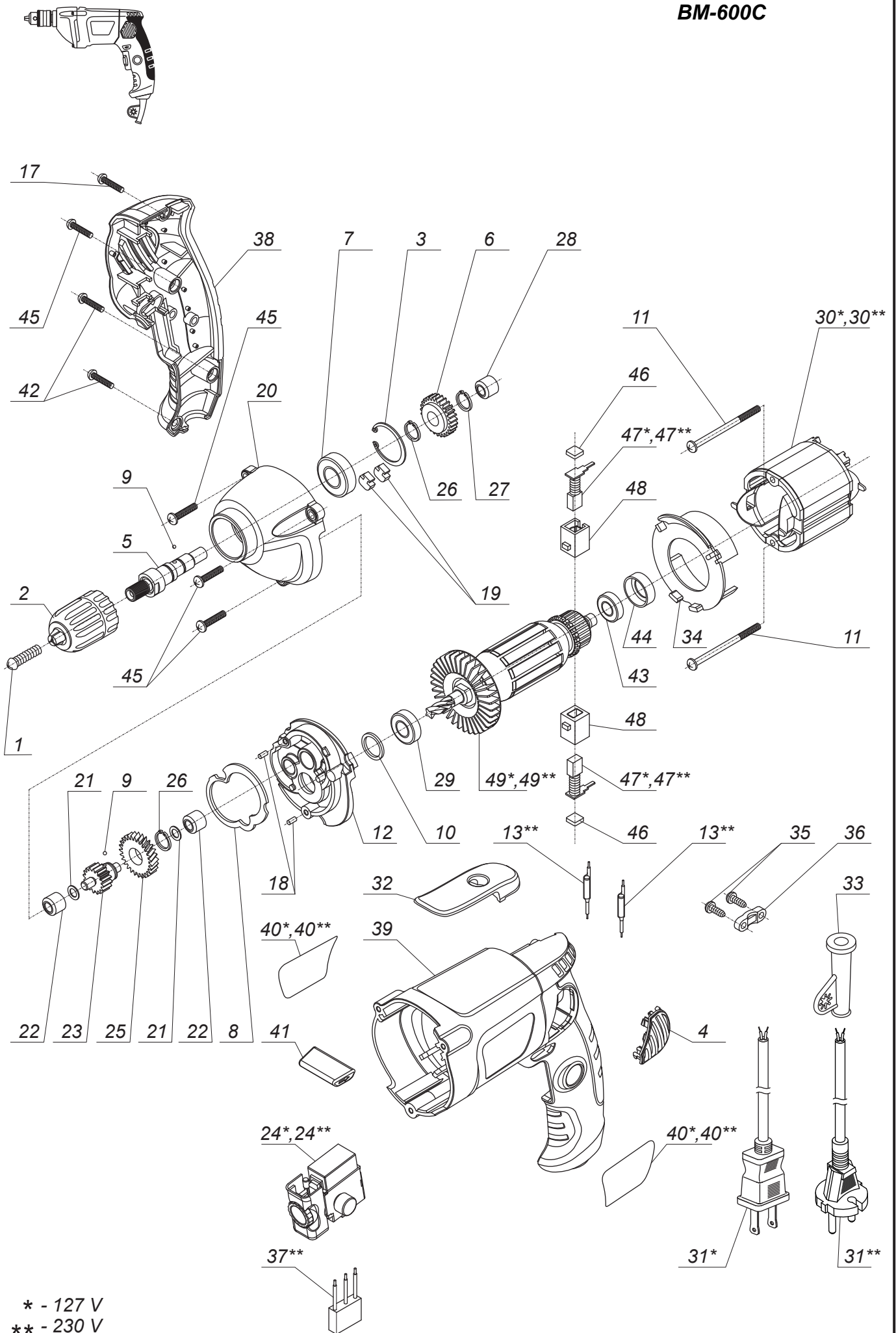


BM-600C



* - 127 V
 ** - 230 V

PRICE LIST OF SPARE PARTS

Pos.	Part Number	Description (Q-ty)	Description National Language (Q-ty)	Price, USD
1	S-025	Screw M5x18L		
2#	Q-053	Keyless chuck 10 mm (BM-600 C)		
3	S-110	Circlip for hole Ø30		
4	H-094	Plastic wind cover		
5	K-050	Spindle		
6	F-028	Second gear		
7	O-009	Ball bearing 6001.2RS		
8	M-071	Gasket		
9	R-001	Steel ball Ø3 (2)		
10	M-080	Rubber ring Ø18xØ7.5x1		
11	S-086	Screw ST4x60 (2)		
12	G-036	Gear housing cover		
13**	E-034	Inductor 18µH 230V (2)		
17	S-081	Screw ST4x30		
18	L-037	Pin 3x8 (2)		
19	M-069	Oiling felt (2)		
20	G-025	Gear housing		
21	S-169	Washer Ø14xØ6x1(2)		
22	O-036	Needle bearing HK0609 (2)		
23	K-068	Gear shaft		
24*	1C-014	VS switch 127V		
24**	C-014	VS switch 230V		
25	F-025	Big gear		
26	S-095	Circlip for shaft Ø12(2)		
27	S-094	Circlip for shaft Ø10		
28	O-037	Needle bearing HK0810		
29	O-002	Ball bearing 608.2RS		
30*	1B-018	Stator 127V		
30**	B-018	Stator 230V		
31*	1E-001	Cord 127V		
31**	E-001	Cord 230V		
32	H-093	Buckle		
33	M-003	Rubber sleeve (BM-600C)		
34	I-023	Guide wind circle		
35	S-074	Screw ST4x14 (2)		
36	M-002	Cord clip		
37**	E-028	Condenser 0.33 µF (3 output)		
38	H-072	Handle cover		
39	H-054	Housing		
40*	1T-091	Brand label 127V (2) (BM-600C)		
40**	T-091	Brand label 230V (2) (BM-600C)		
41	I-032	Switch pole		
42	S-076	Screw ST4x18 (2)		
43	O-001	Ball bearing 607.2Z		
44	M-008	Bearing bush Ø22xØ19x7,5		
45	S-078	Screw ST4x22 (5)		
46	J-025	Brush cap (2)		
47*	1D-010	Carbon brush (2) 127V		
47**	D-010	Carbon brush (2) 230V		
48	J-017	Brush holder		
49*	1A-034	Armature 127V		
49**	A-034	Armature 230V		